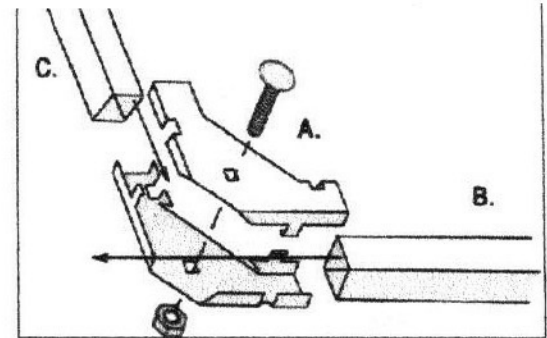
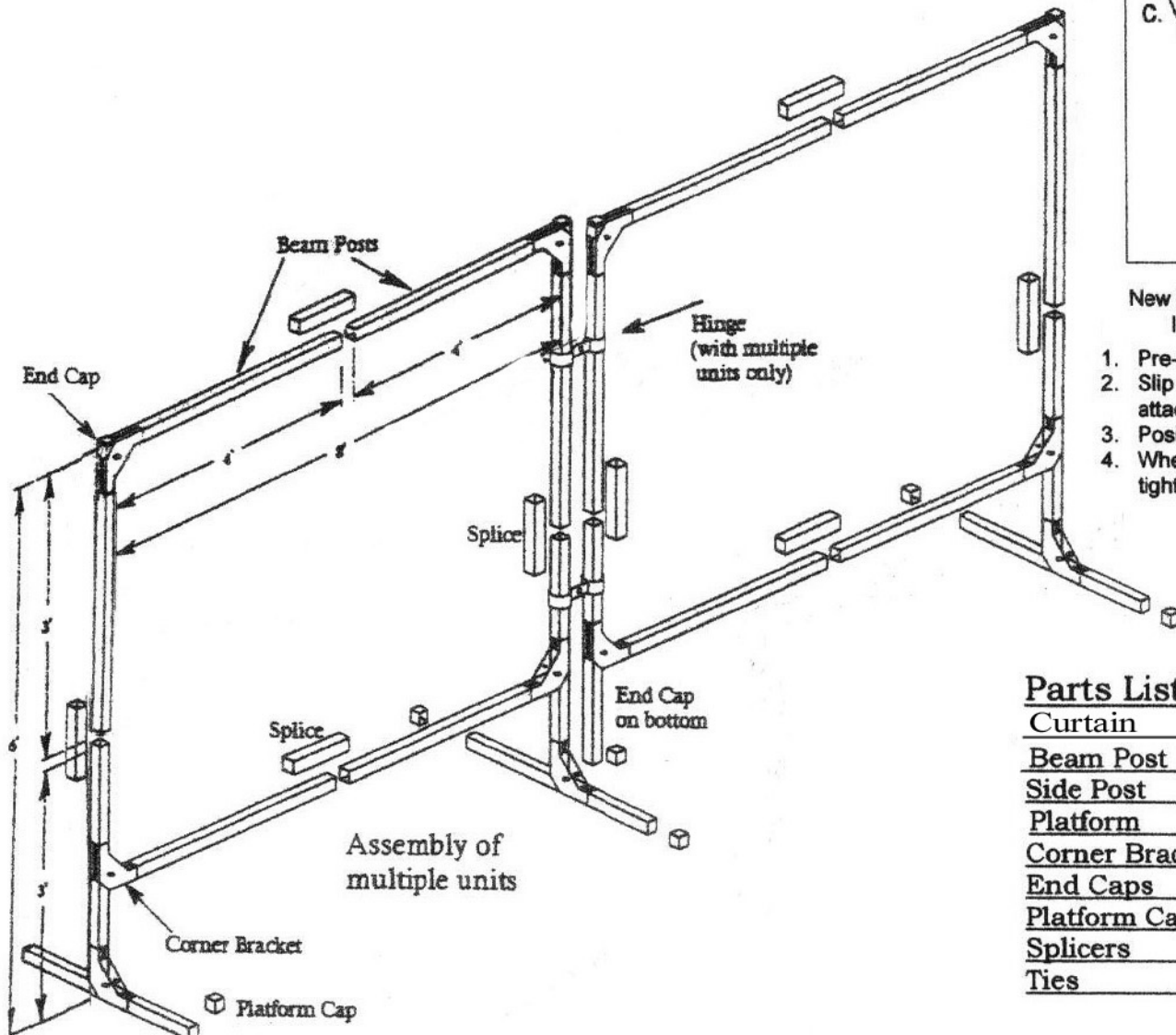


Wilson Stur-D-Screen Assembly Instructions



New Bracket Design Instructions:

1. Pre-Assemble bracket with nut and bolt; do not tighten
2. Slip pre-assembled bracket over tubing as indicated in attached Stur-D-Screen Assembly Instructions sheet.
3. Position bracket into correct position and hand tighten bolt.
4. When the Stur-D-Screen frame is completely assembled, tighten all bolts with a wrench.

Two Panel Part No. R2068 - **

Parts List	Size	Qty	Pkd	Rcvd
Curtain	5' x 16' 6"	1		
Beam Post	4'	8		
Side Post	3'	8		
Platform	2'	3		
Corner Brackets		11		
End Caps		4		
Platform Caps		6		
Splicers		8		
Ties		36		

Wilson Industries, Inc. 123 Explorer St., Pomona, Ca. 91768 Tel: (909) 468-3636 Fax: (909) 468-3640
 web site www.wilsonindustries.com e-mail Info@wilsonindustries.com